

L(P)D

系列吊袋上部卸料离心机

L(P)D Series Hanging Bag Up Discharging Centrifuge



● 主要材料

平板为Q235包衬不锈钢，转鼓除篮底采用铸件衬包不锈钢外其余全部采用不锈钢，壳体壳盖(含其附属品)全部采用不锈钢，轴座采用铸钢外包不锈钢，平衡弹簧缸为Q235。

● 标准配置

PLC+变频控制，能耗制动。机上装有标准过滤袋，立式普通或防爆电机，普通传动三角带，电机、皮带配有安全防护罩(不锈钢)，阻尼型减震器，并提供吊具一套。

● 型号及主要技术参数 Model and Main Parameters

项目Item	型号 Model	L(P)D-600	L(P)D-800	L(P)D-1000	L(P)D-1200	L(P)D-1250	L(P)D-1250A	L(P)D-1500	L(P)D-1600	L(P)D-1800
转鼓直径Drum diameter(mm)		600	800	1000	1200	1250	1250	1500	1600	1800
转鼓容积Drum volume(L)		45	90	140	250	300	400	700	845	910
转鼓高度Drum Height(mm)		350	400	400	480	500	600	720	800	750
装料限量Loading capacity(Kg)		68	135	200	300	400	520	800	800	1180
转鼓最高转速Drum Max. Speed(r/min)		1600	1200/1500	1080/1200	950	900	1000	850	800/850	720
最大分离因素Maximum separating factor		860	645/1007	652/805	605	566	698	606	573/646	522
电机功率Motor power (Kw)		4	7.5	11	18.5	18.5	18.5	22	30	37
机器重量Weight(Kg)		1400	2100	3000	4200	5000	5520	6500	7500	12000

随着科技的进步，我们保留更改的权利 All right is reserved for amendment with improvement of technology

● Main Material

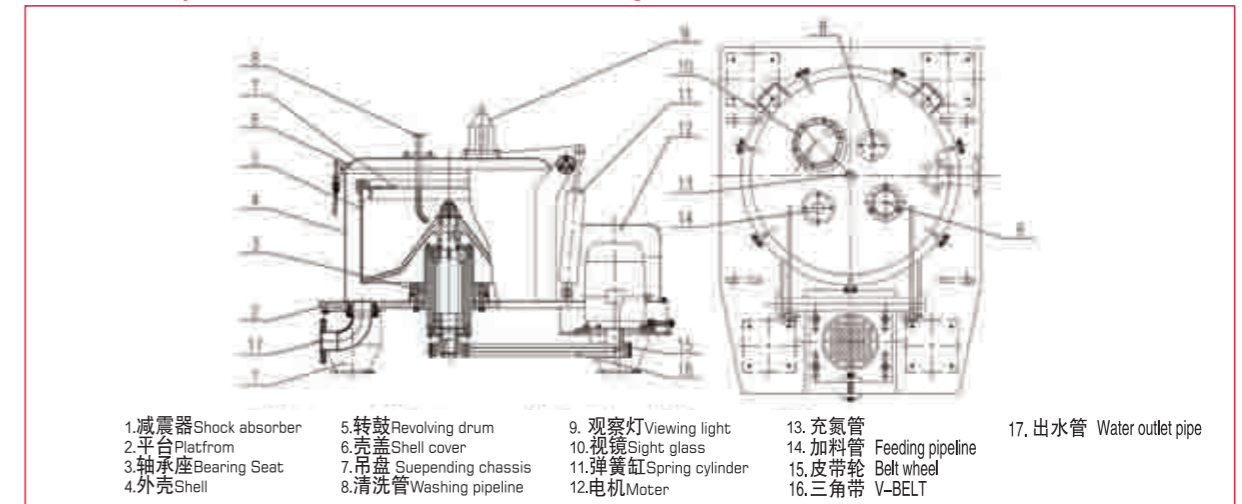
The flat plate is Q235 lined with stainless steel. Drum is stainless steel except the drum bottom is casting parts lined with stainless steel. The shell body and shell cover (including its accessories) are all stainless steel. The bearing seat is cast steel coated with stainless steel, and the balance spring cylinder is Q235.

● Standard configuration

PLC + frequency conversion control, energy consumption braking. The machine is equipped with standard filter bag, vertical ordinary or explosion-proof motor, ordinary transmission triangle belt, motor and belt with safety cover (stainless steel), damper shock absorber, and a set of hangers.

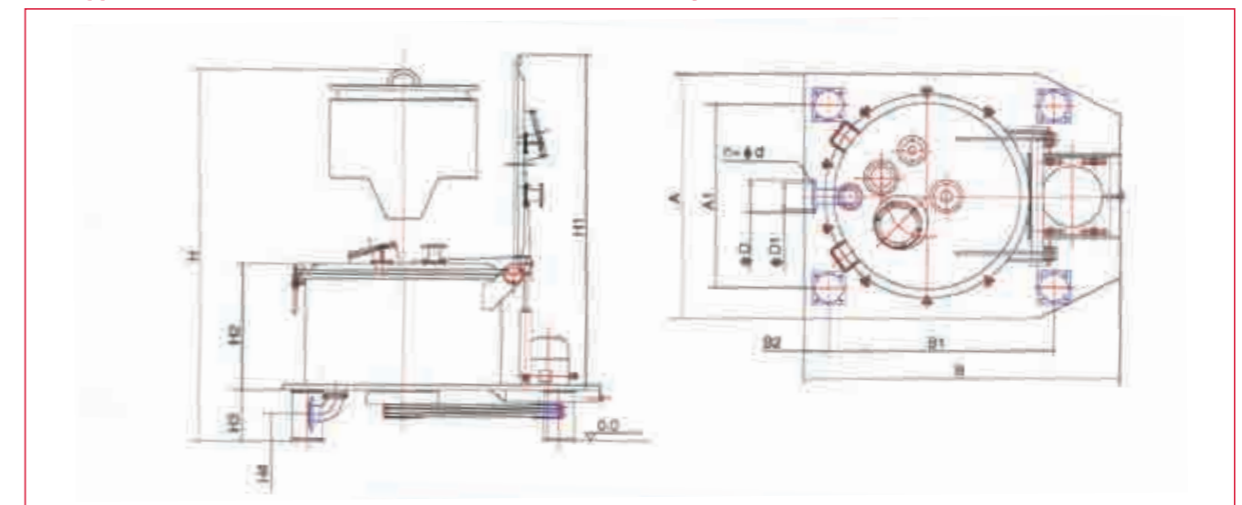
● L(P)D系列离心机结构示意图

The Sketch Map of The Structure of L(P)D Series Centrifuge



● L(P)D系列离心机外形及安装尺寸

The Appearance and Size of Installation of L(P)D Series Centrifuge



● 外形及安装尺寸 The Appearance and Installation Size

型号 Model	代号 Code	A	A1	B	B1	H	H1	H2	H3	H4	D	D1	N-φd
L(P)D-600		920	680	1335	865	1672	1425	530	300	155	185	145	4-φ18
L(P)D-800		1200	900	1600	1230	2120	1722	690	300	145	200	160	8-φ18
L(P)D-1000		1500	1100	1968	1350	2262	2038	780	300	150	220	180	8-φ18
L(P)D-1200		1800	1200	2280	1700	2580	2470	930	330	135	250	210	8-φ18
L(P)D-1250		1800	1200	2280	1700	2620	2510	930	330	135	250	210	8-φ18
L(P)D-1250A		1800	1200	2280	1700	2780	2600	1080	330	135	250	210	8-φ18
L(P)D-1500		2140	1700	2600	1750	3020	2982	1253	300	175	285	240	8-φ22
L(P)D-1600		2400	1900	3000	2300	3200	3145	1275	450	185	285	240	8-φ22
L(P)D-1800		2630	2124	3230	2527	3700	3700	1070	425	560	285	240	8-φ22

随着科技的进步，我们保留更改的权利 All right is reserved for amendment with improvement of technology